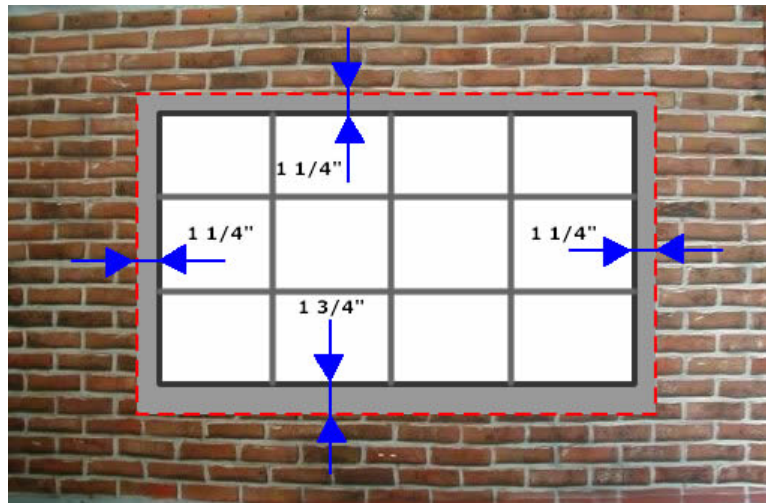


Using Brick/Stone Extensions

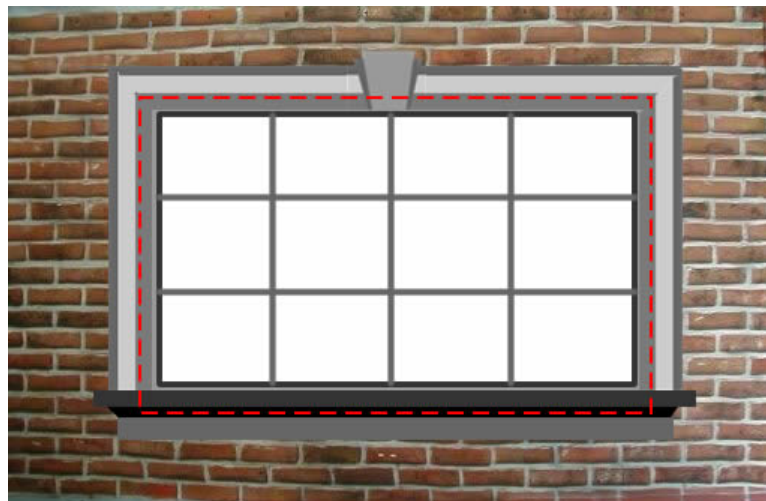
If you are planning to use our stucco mouldings on a new project with brick or stone exterior, you can use Brick and Stone Extensions (see <http://www.primestucco.com/brick-stone.html>) to build the returns of the mouldings.

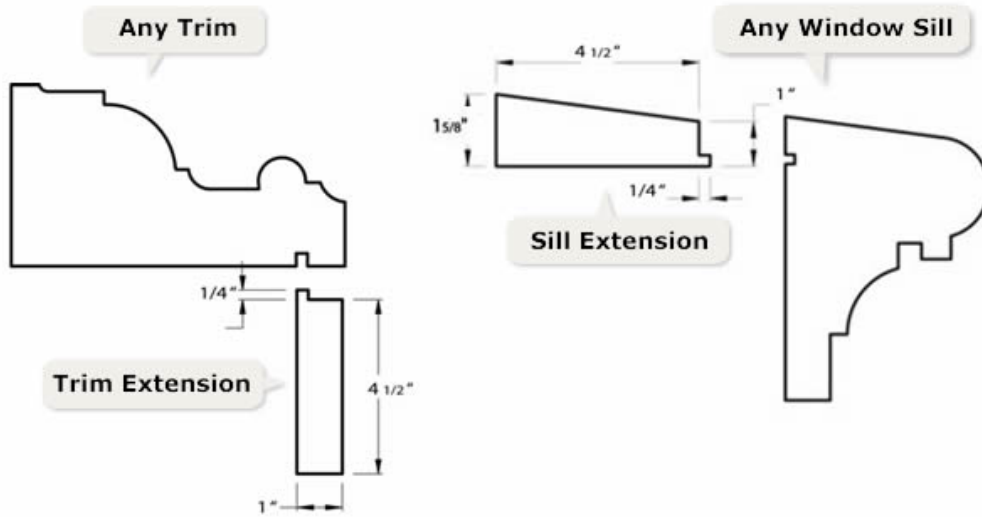
The following shows how to prepare:

Leave space around the openings as shown.

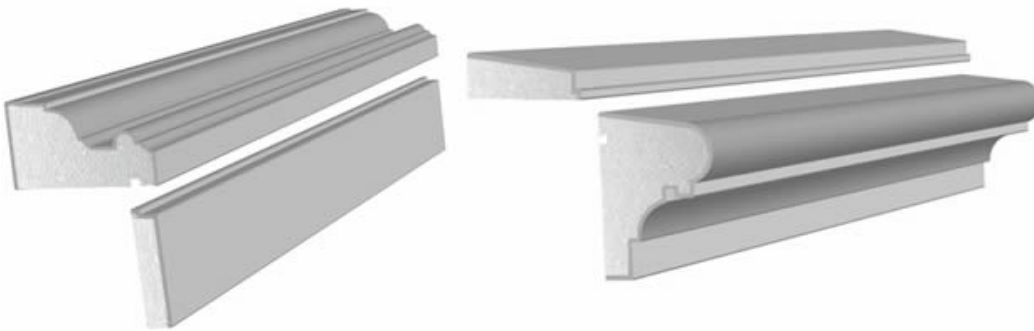


Install the extensions in the spaces left between the brick/stone and the openings, and install the mouldings on top.





1. As Supplied



2. Installed

